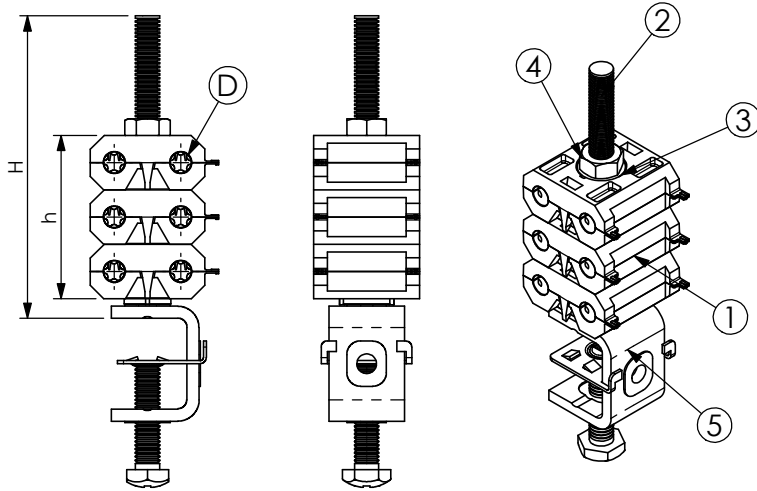


PRODUCT DATA SHEET



A) SPECIFICATIONS

- 1 Calibrated double black saddles made in PA.66
- 2 Stainless steel threaded bar BFI M8
- 3 Stainless steel flat Washer RPI 8/16
- 4 Stainless steel hexagonal nut DAI 8
- 5 Stainless steel MIM 8 clamp

B) RESISTANCE TESTS

UV Test BS-ISO 105-B06
 Vibration test conforming to UNI 60068-2-6
 Operating temperature: -30°C +120°C



C) PACKAGING INFORMATION

Packing in boxes.
 Label indicating:
 product code, article, quantity,
 production batch,
 FIMO logo and figure.
 (Customer code on request).

D) MOUNTING INSTRUCTIONS

On request

CODE	ARTICLE	ø D	h	H	BOX	WEIGHT
61 1570 0607	MCC 6x7	5 - 7	100	55.5	20	160
61 1570 0609	MCC 6x9	7 - 9	100	55.5	20	160
61 1570 0611	MCC 6x11	9 - 11	100	55.5	20	160
61 1570 0614	MCC 6x14	11 - 14	125	72	20	198
61 1570 0612	MCC 6x1/2"	14 - 17	125	72	20	186
61 1570 0620	MCC 6x20	17 - 20	150	99	20	270

RI	DATE	DR	DATE	AP	Description:	
02					MCC - Mini clamps type MCO+MIM 8/25	
01						
00	29/01/16	G.S.	29/01/16	A.V.		
1 ST EMISSION						
						Use:
					Fastening of 6 cables on flat iron with holes	